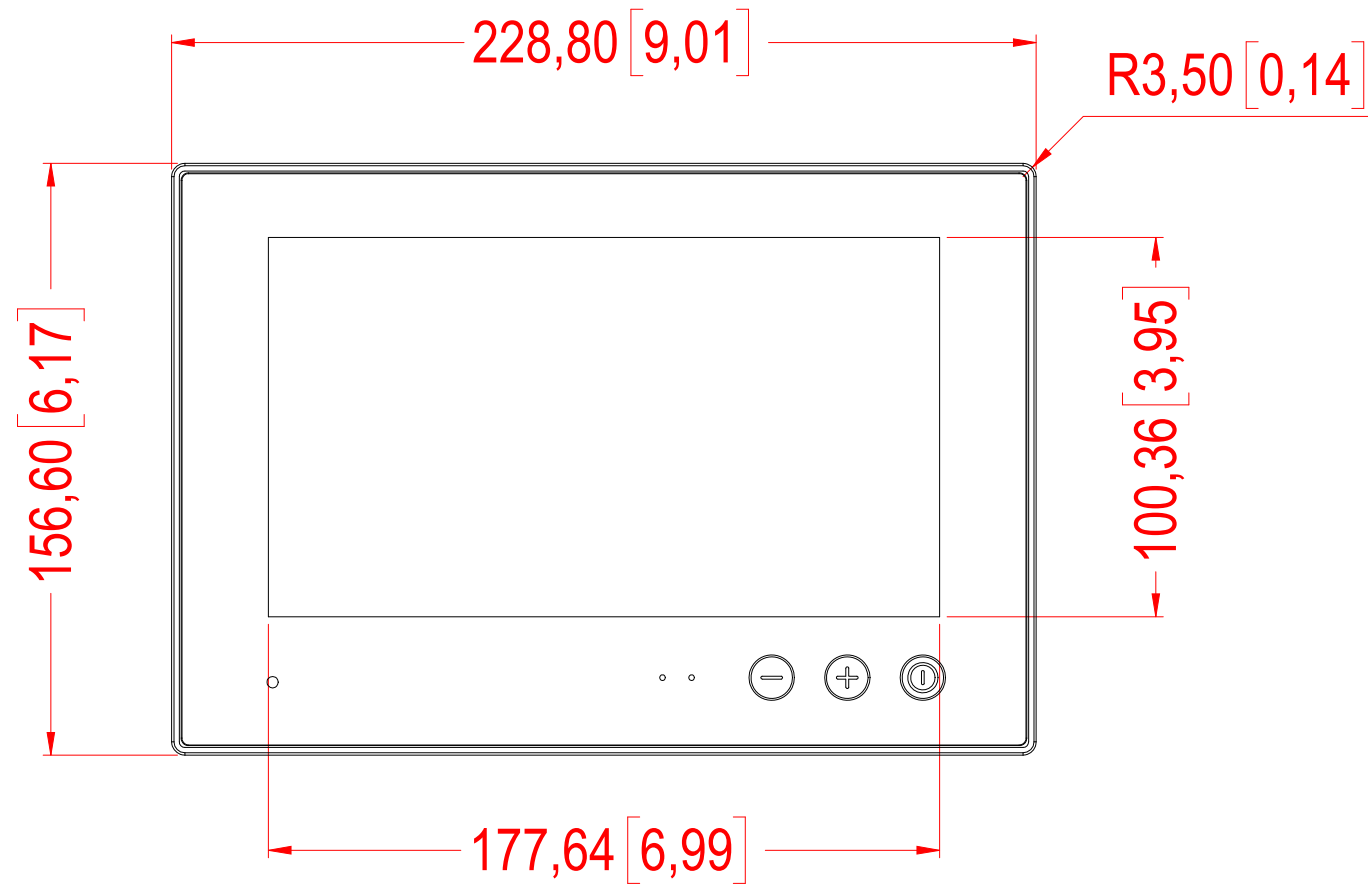
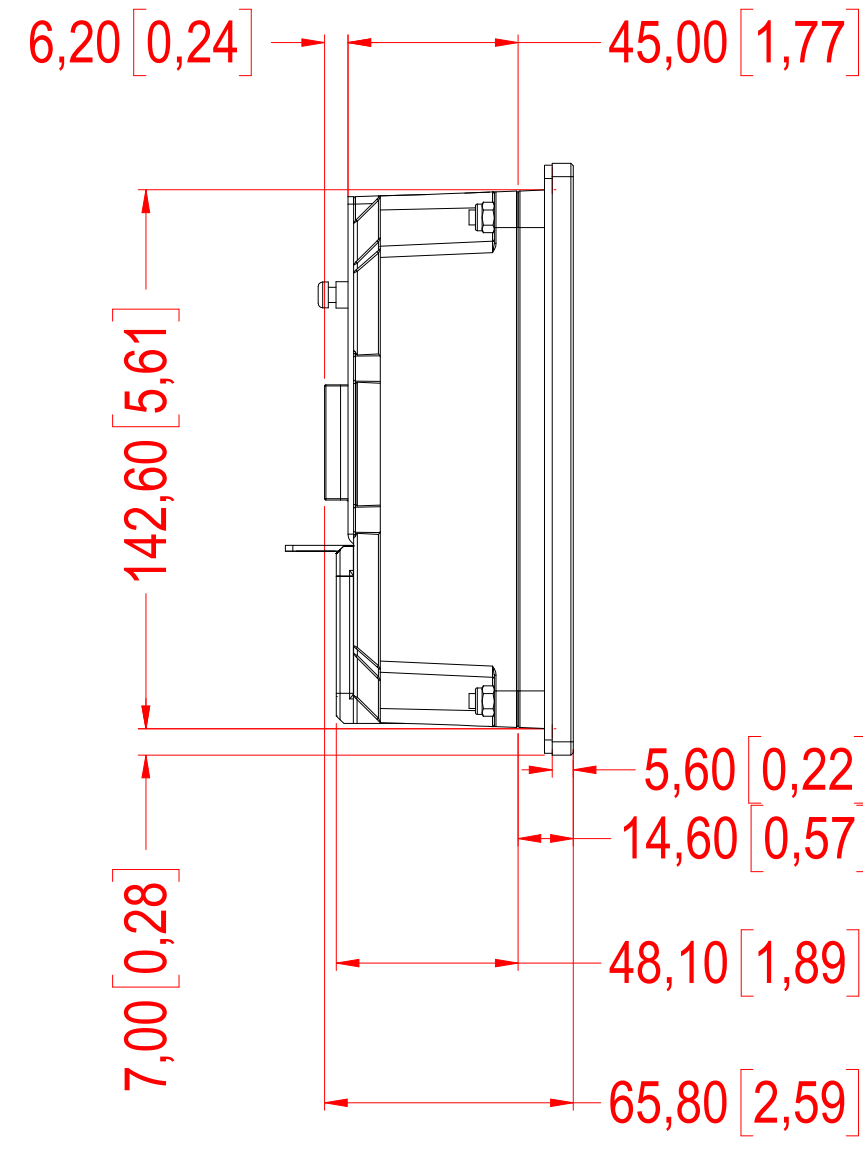


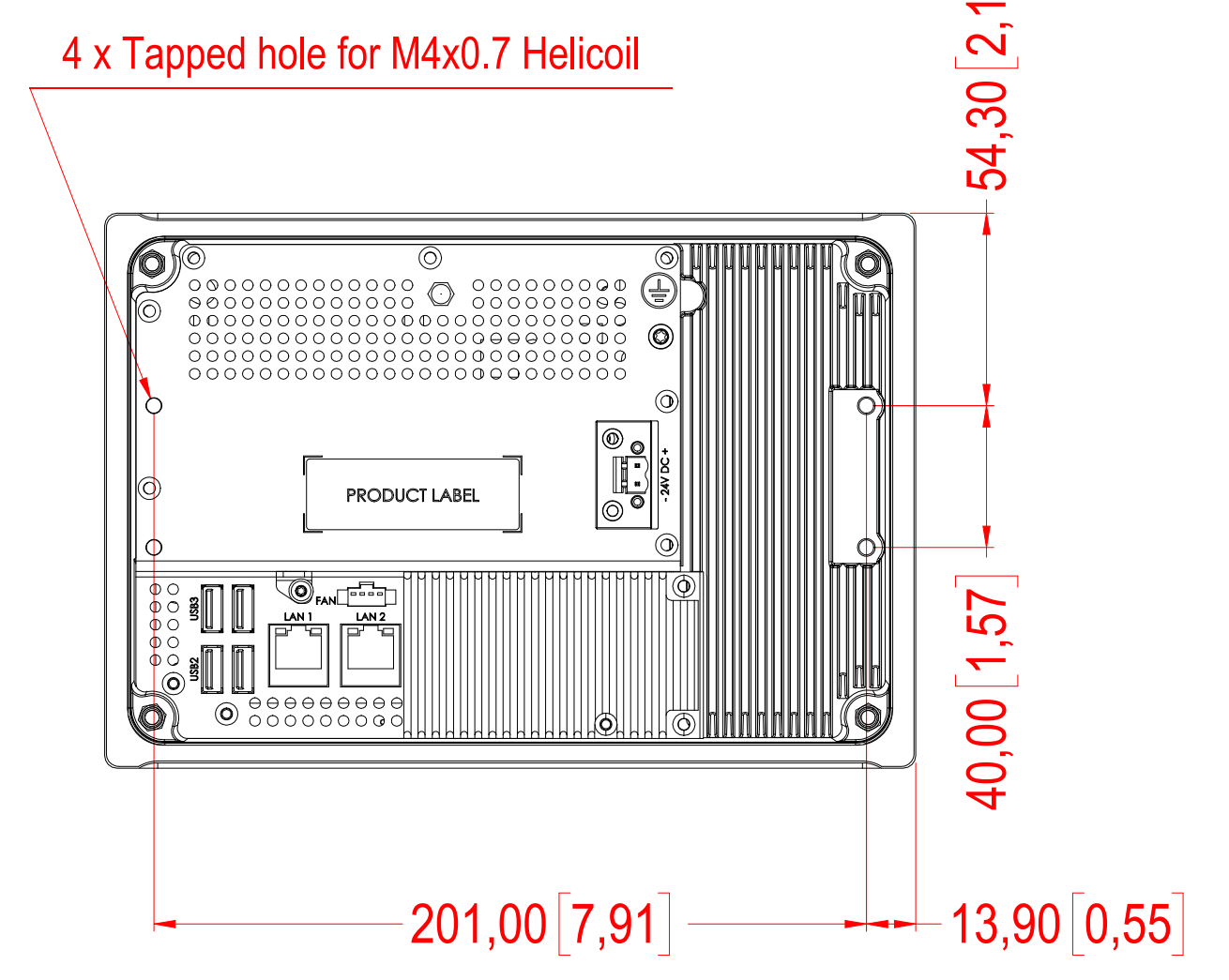
### FRONT VIEW



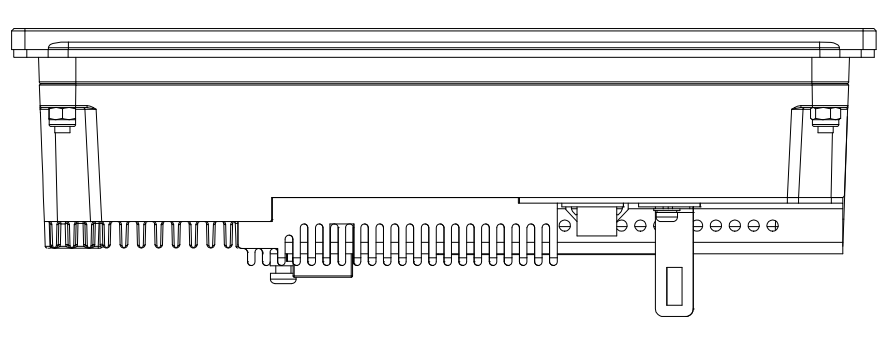
### SIDE VIEW



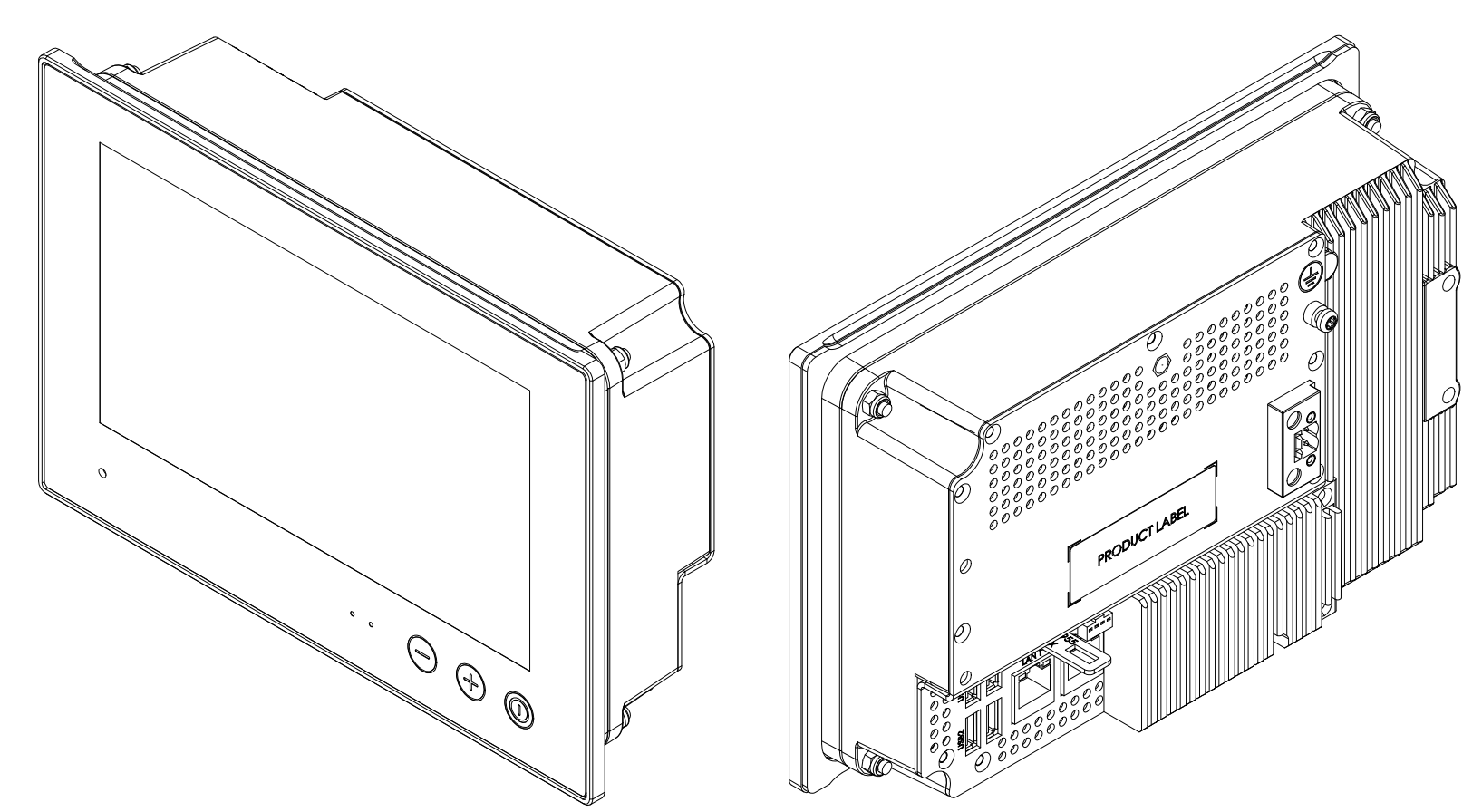
### BACK VIEW



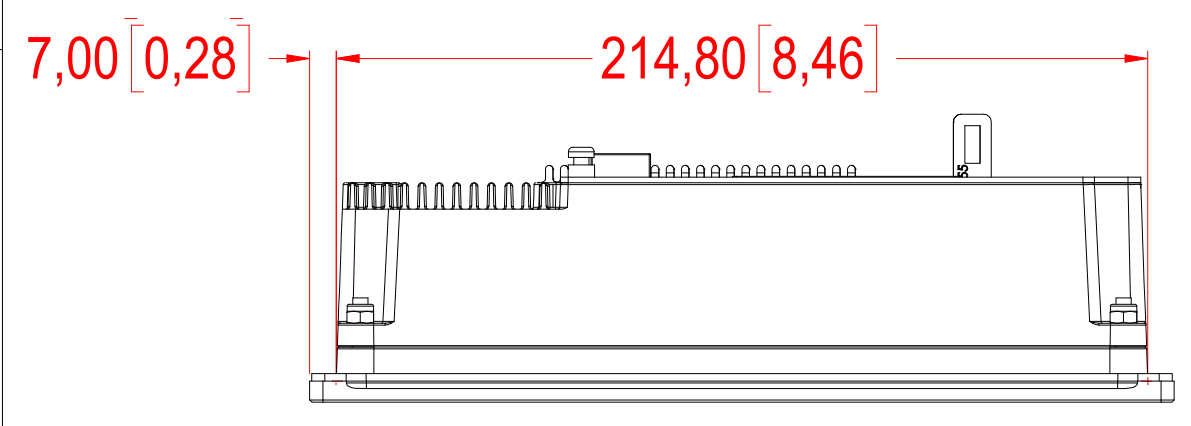
### BOTTOM VIEW



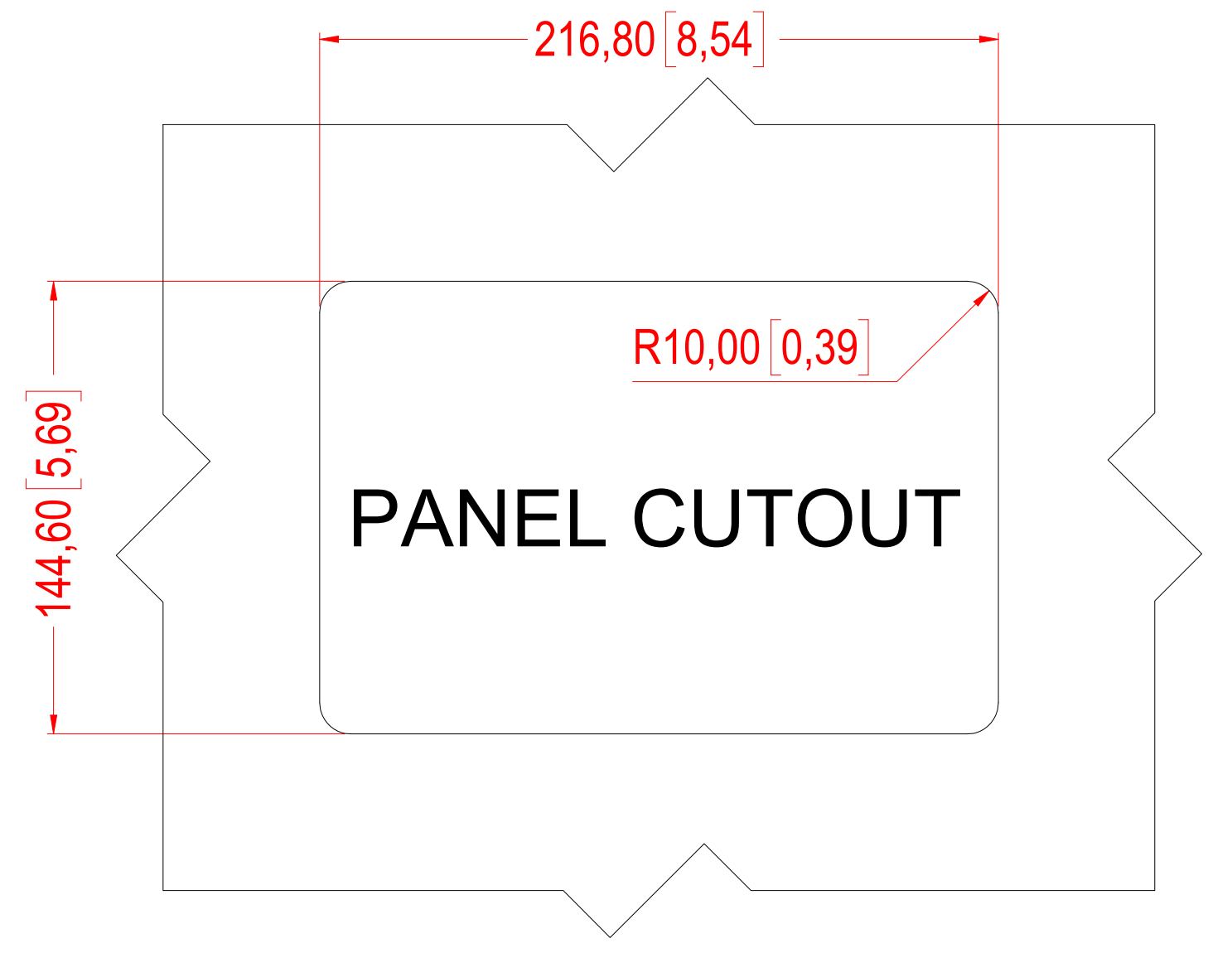
### DIMETRIC VIEWS



### TOP VIEW



### PANEL CUTOUT



Units: mm [inches]

**SALES DRAWING HD 08T30 MMC-206-AHA1AA**  
 model shown in this drawing, but measurements generally apply for all HD 08T30 MMC-xxx-xxxxAx models

Creation date / by:	05,04,18 / 8744	Projection:	A1	<b>HATTELAND TECHNOLOGY</b> an EMBRON Company
Last rev. date / by:	/		Scale: 1:2	Approved by: _____
Hatteland Technology AS Eikeskogvegen 52 N-5570 Akrdal			Tolerance: ISO 2768-mK	Revision: 01 Drawing number: A010728